

KRAMER



Installation Instructions

MODEL:

KDock-6

USB-C 8 in 1 Docking & Laptop Stand



P/N:



2900-301557QS

Rev:

HDMI™
HIGH DEFINITION MULTIMEDIA INTERFACE



1



SAFETY WARNING

Disconnect the unit from the power supply before opening and servicing.

For the latest information on our products and a list of Kramer distributors, visit our Web site where updates to these installation instructions may be found.

We welcome your questions, comments, and feedback.

www.kramerAV.com
info@kramerel.com

Introduction

Congratulations on purchasing your Kramer **KDock-6 USB-C 8 in 1 Docking & Laptop Stand**. **KDock-6** supports HDMI and DisplayPort video outputs for Windows MST mode and MAC OS SST mode. It has 2 USB Type A ports and 1 USB-C port. It's an ideal accessory for MacBooks, laptops equipped with USB Type-C, mobile phones, and tablets.

Features

KDock-6 includes the following features:

- Supports HDMI and DisplayPort video outputs.
- Supports USB 5G speed connection between device (for example, keyboard, mouse and/or hard drive) and docking station.
- Supports 1Gbps Ethernet.
- Includes a 3.5 mm headset jack.
- Silicon layer over bracket panel prevents slipping of laptop/tablet or other devices.
- Bracket and dock are affixed with a magnetic suction and buckle.
- Bracket panel is designed for better heat dissipation to prevent overheating devices.

Get to know your KDock-6

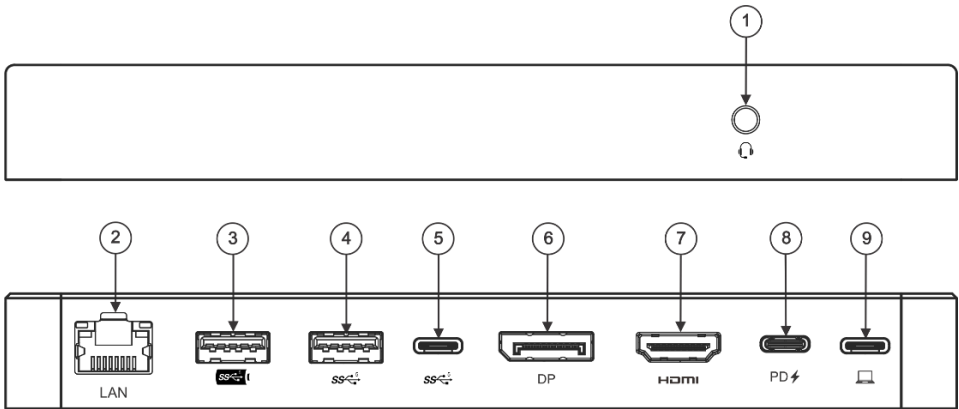


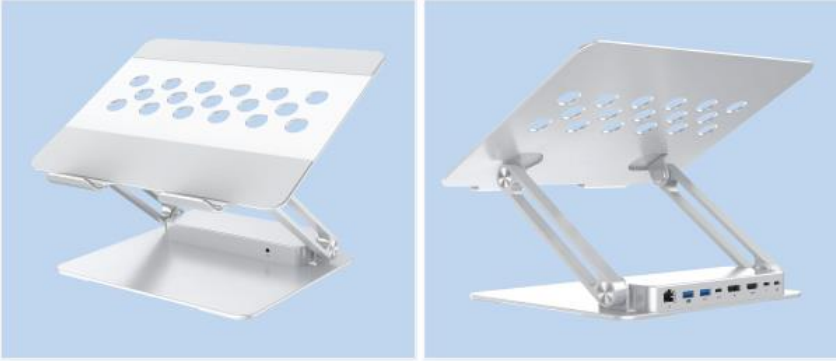
Figure 1: KDock-6 Docking Panel

#	Feature	Function
1	3.5 mm Headset Jack	Connect to Headset (audio and microphone).
2	LAN RJ-45 Port	Ethernet Port 1000 Mbps.
3	USB 5G Type-A Port	Supports USB 5Gbps speed and 5V/1.5A power output.
4	USB 5G Type-A Port	Supports USB 5Gbps speed and 5V/0.9A power output.
5	USB 5G Type-C Port	Supports 5Gbps speed, and 5V/0.9A power output.
6	DisplayPort video Output	Connect to a DisplayPort acceptor.
7	HDMI video Output	Connect to an HDMI acceptor.
8	PD Charging Input	Connect to a PD charger. Input:100W (Max).
9	USB-C Host	Connect to a USB-C port – supports DP Alt Mode and Power Delivery.

How to Use Your KDock-6

To use your KDock-6:

1. Adjust the KDock-6 height and angle by moving the bracket.



2. Set your device on the KDock-6.
3. Connect your device to KDock-6 with a USB-C cable (included).

Connect the KDock-6

Once your device is set on the KDock-6, you can connect other devices and accessories. See the illustration the [Figure 2](#) as an example.

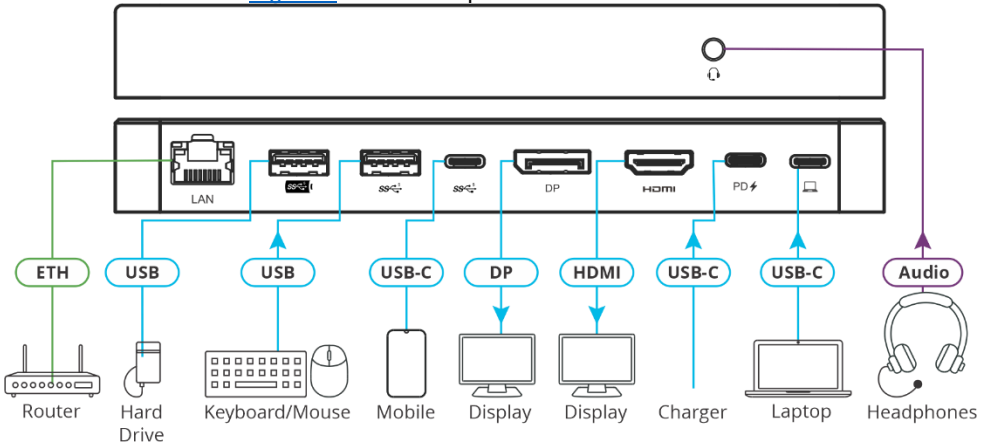


Figure 2: KDock-6 installation

Technical Specification

Input	1 USB-C	On a USB-C connector
Outputs	1 HDMI	On an HDMI connector
	1 DP	On a DisplayPort connector
Video	Windows MST Mode Max. Resolution	3840x2160P@60Hz, when a single display is attached to the device. 3840x2160P@30Hz, when two displays are attached to the device.
	MAC OS SST Mode Max Resolution	3840x2160P@60Hz, when a single or dual display is attached to the device.
Ports	1 LAN	On an RJ-45 port (1000Mbps)
	2 USB3.0 Type A	5Gbps, one supports BC1.2
	1 USB-C	5Gbps
	1 USB-C PD3.0	100W
Audio	Stereo	On a 3.5mm mini jack
Regulatory compliance	Safety	CE, FCC
	Environment	RoSH, REACH,
Environmental Conditions	Operating Temperature	0° to +45°C (32° to 113°F)
	Storage Temperature	-20° to +70°C (-4° to 158°F)
	Humidity	10% to 90%, RHL non-condensing
Regulatory Compliance	Safety	CE, FCC
	Environmental	RoHs, REACH, WEEE
Enclosure	Type	Aluminum
General	Net Dimensions (W, D, H)	27.5cm x 25cm x 3.5cm (10.8" x 9.8" x 1.4")
	Shipping Dimensions (W, D, H)	32cm x 27cm x 5.8cm (12.6" x 10.6" x 2.3")
	Extended height	31.5cm
	Load Bearing Capacity	6kg
	Net Weight	1.1kg (2.4lbs) approx.
	Shipping Weight	1.4kg (3.1lbs) approx.

Specifications are subject to change without notice at www.kramerav.com

The terms HDMI, HDMI High-Definition Multimedia Interface, and the HDMI Logo are trademarks or registered trademarks of HDMI Licensing Administrator, Inc.